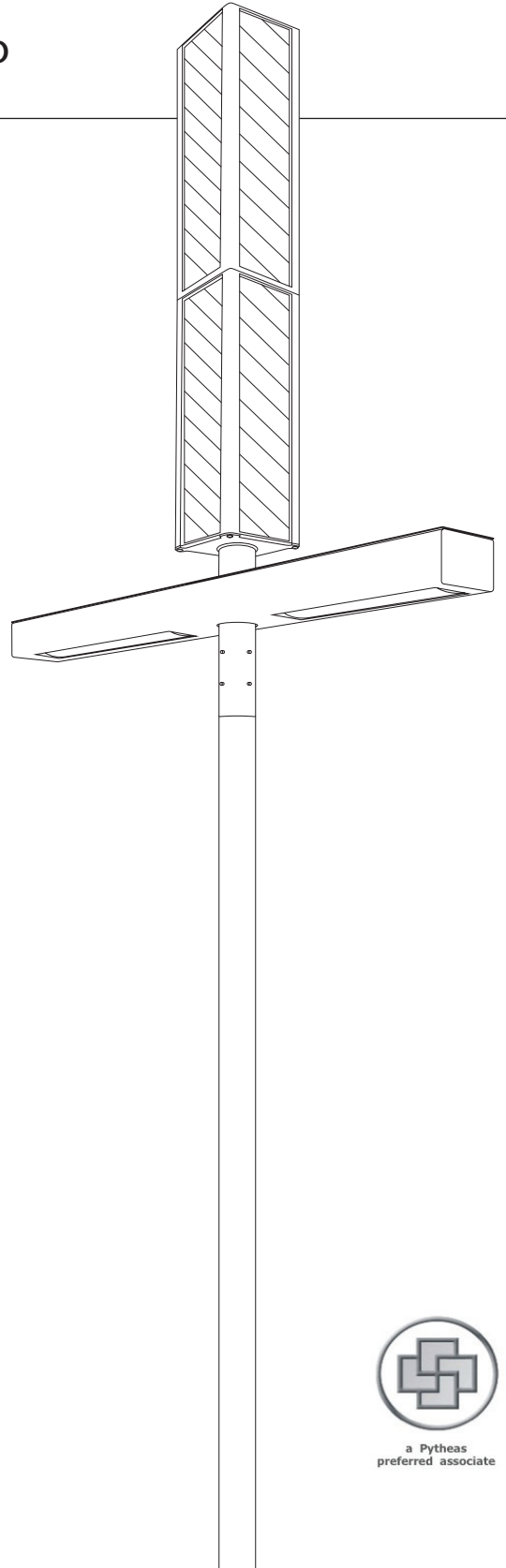
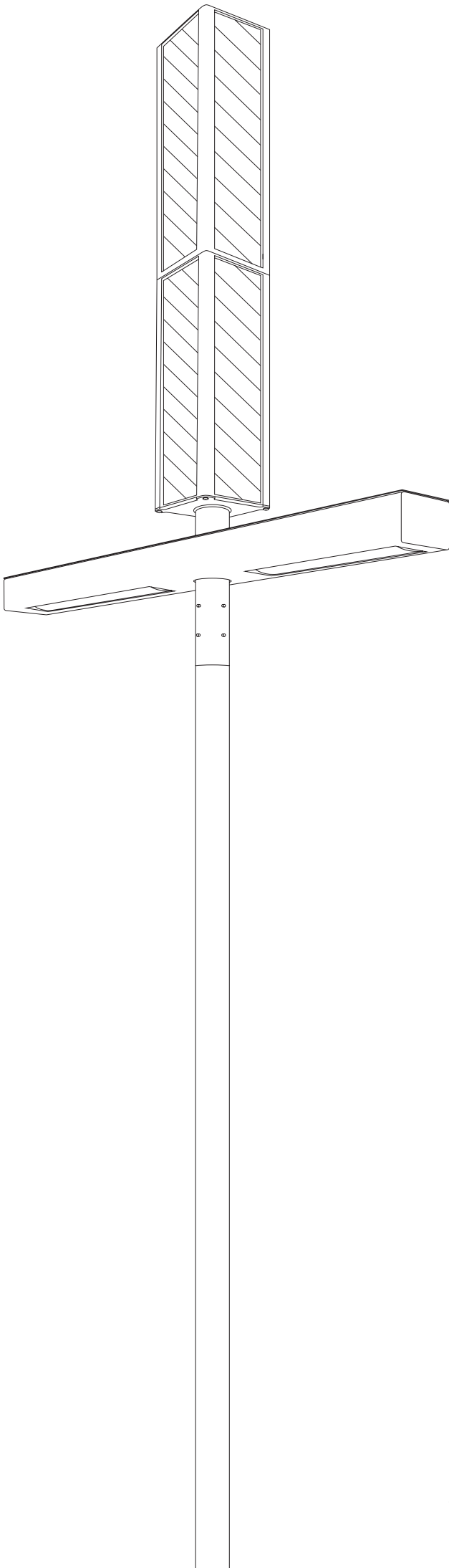


brilliance in lighting

photinus

DATA SHEET V1 | 2014

aron duo



1

aron duo

SELF-SUFFICIENT SOLAR LED STREET LAMP WITH SECURE SUPPLY

USE

Alongside the aron smart and the aron grand, the aron duo is also available to ensure a secure supply even in critical weather regions. The aron duo solar light is a solar-powered LED light for car parks with two light sources which are used where there is no electricity supply or where it would not be economically feasible to implement one. The aron duo can be used anywhere where a secure supply and excellent light quality is of paramount importance even in dim conditions. Due to the cubic aluminium construction with 8 photinus High Performance photovoltaic modules, sufficient energy can be generated in a targeted manner via the diffuse light component especially in regions with poor weather (snow, fog, etc.). The vertically arranged modules prevent snow from accumulating on it in winter. A sophisticated energy management system guarantees secure functionality over several nights even in poor weather conditions.

FUNCTION

The integrated battery is loaded via 8 photinus High Performance photovoltaic modules and when dusk comes this energy is used to efficiently operate the LED array.

OPTIONS

As well as the standard anthracite colour, the aron duo can also be ordered in other RAL colours on large projects (>50 units) for an additional charge.

2

TECHNICAL DATA

PHOTOVOLTAIC ENERGY COLUMN

Modules	monocrystalline silicon cells with exceptional efficiency specially processed by photonus
Efficiency	22.5%
Max. performance of the energy column P _{mpp}	168W (8 modules) — modules are also charged up in cloudy conditions
Battery	12V 27Ah (SLA)
Operating temperature	-10°C to +40°C
Battery life	approx. 5 – 6 years (depending on ambient temperature)
Dimensions of the energy column	237 mm x 237 mm x 1425 mm
Protection class	IP65

DIMENSIONS

Total height from ground level	5,825 mm
Mounting height from ground level	4,200 mm
Total length of pole	4,900 mm
Length of pole in the ground assembled	750 mm
Pole materials	galvanised and powder-coated steel

LIGHTS

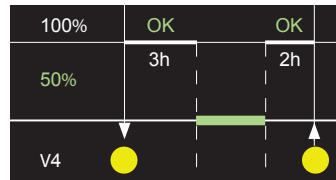
Max. luminous flux	1600lm <small>(Bregenz site, 47 degrees latitude: 2x600lm)</small> double bracket, each with a light source (600lm per light source)
Luminance at ground level	see page 10
Max. back-up time	68 h
Colour temperature	5,300 K (4,300 K on request)
Optics Light distribution	S - Optik, Q
Life of LED	>50,000 h
Other	insect neutral light

ENERGY AND TIME MANAGEMENT

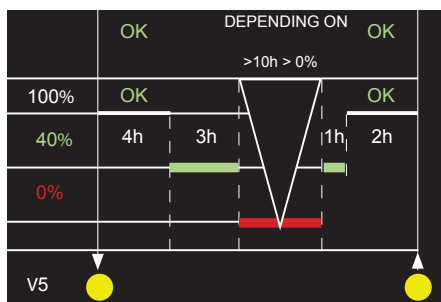
Standard factory setting V5

V1	Dimming	50%	midnight - 5am
V2	Switching off	0%	midnight - 5am
V3	Continuous lighting	100%	lights up all night

V4 Energy-optimised without cut-off



V5 Energy-optimised with cut-off



DIMENSIONS AND WEIGHTS FOR SINGLE DISPATCH

Luminaire head in box

Dimension	1550 mm x 300 mm x 340 mm
Weight	8 kg

Energy column

Dimension	1550 mm x 300 mm x 340 mm
Weight	29 kg

Pole

Length	5,000 mm
Diameter	110 mm
Weight	30 kg

DIMENSIONS AND WEIGHTS
FOR SHIPMENT OF PALLETS

All specifications are based on 6 lights

Pallet	1 one-way pallet
Max. number of lights	3
Pallet size (with 6 lights)	1600 mm x 1000 mm x 1500 mm
Weight:	96 kg
Poles	3 units
Length	5000 mm
Diameter	660 mm
Total weight of pole	90 kg

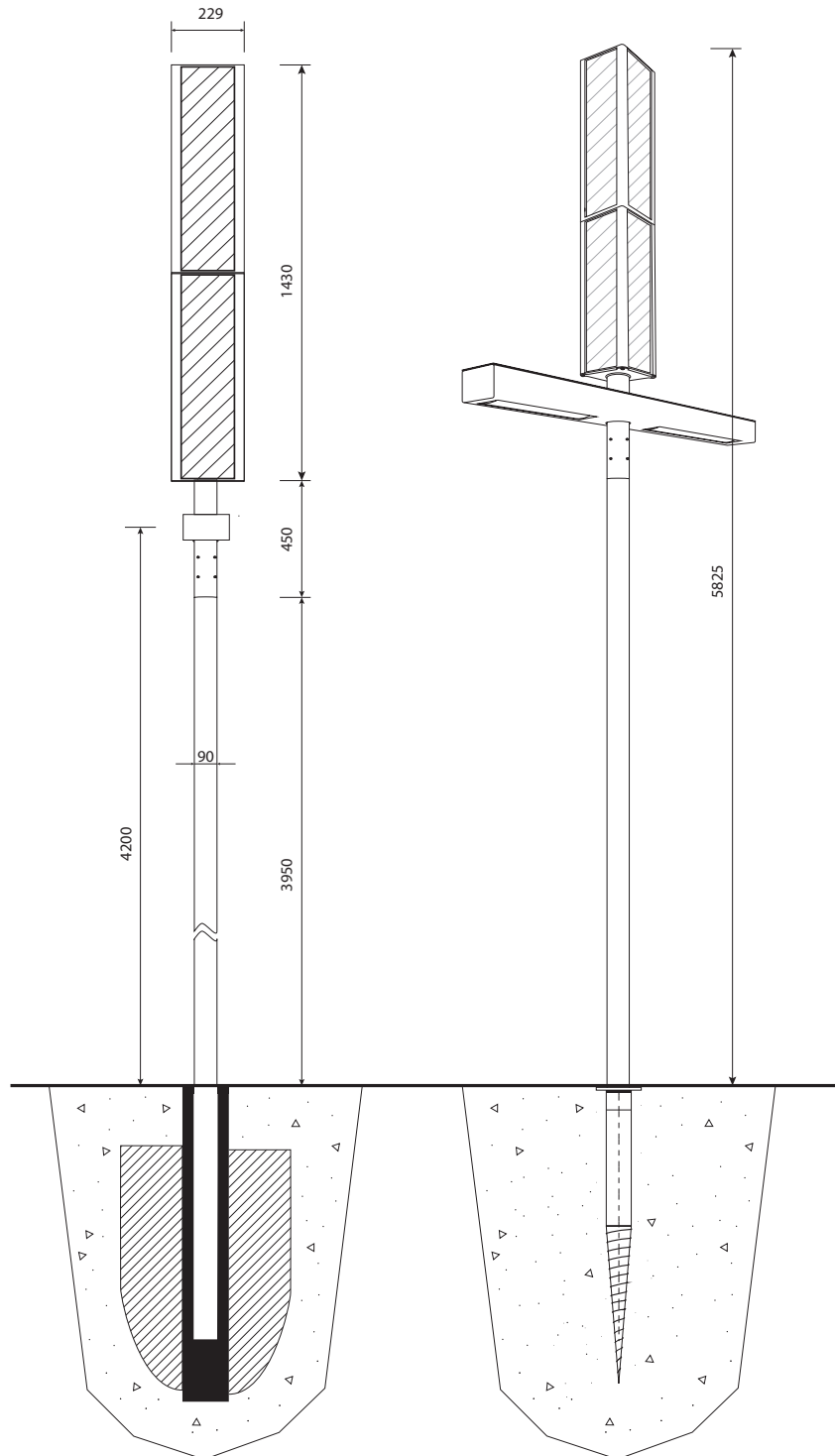
MAINTENANCE CYCLES | WARRANTY

Battery change recommended	after 6 years
LED change recommended	after 12 years
Material warranty	2 years (incl. battery)
PV module warranty (The warranty period is deemed to start on the date of manufacture)	2 years with 100% product guarantee 5 year warranty at 90% minimum output 10 year warranty at 80% minimum output

(subject to technical modifications)



DIMENSIONS



3

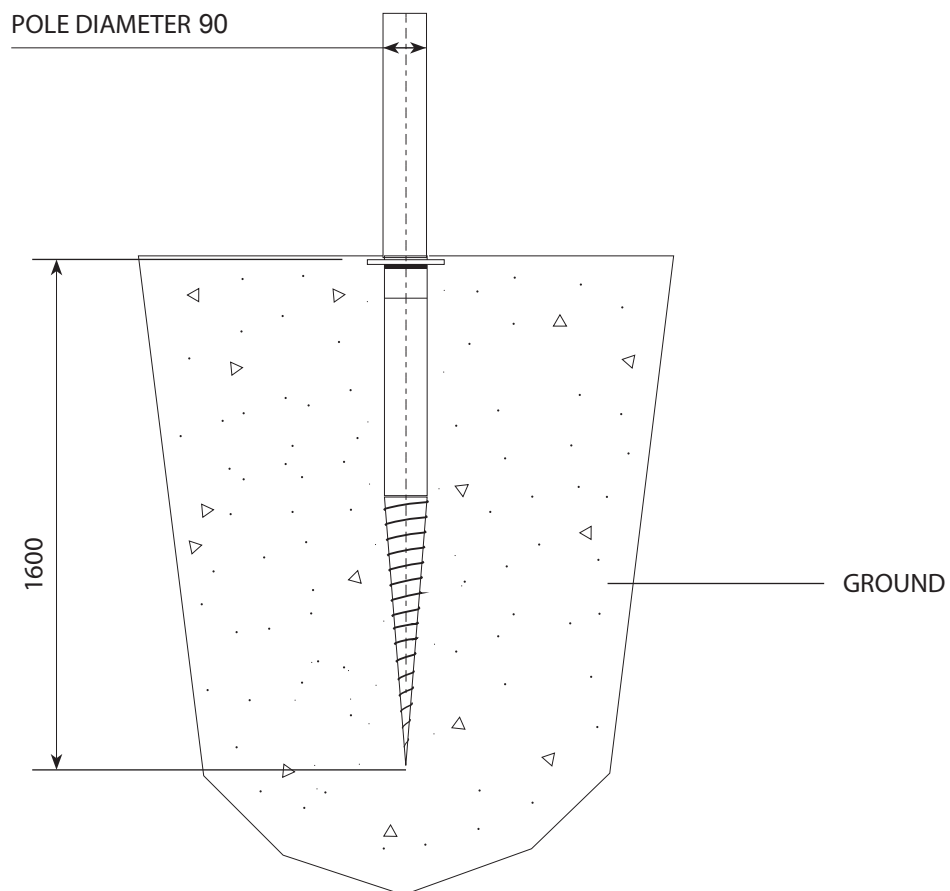
OPTIONS FOR ASSEMBLY

OPTION 1

KRINNER ground screw

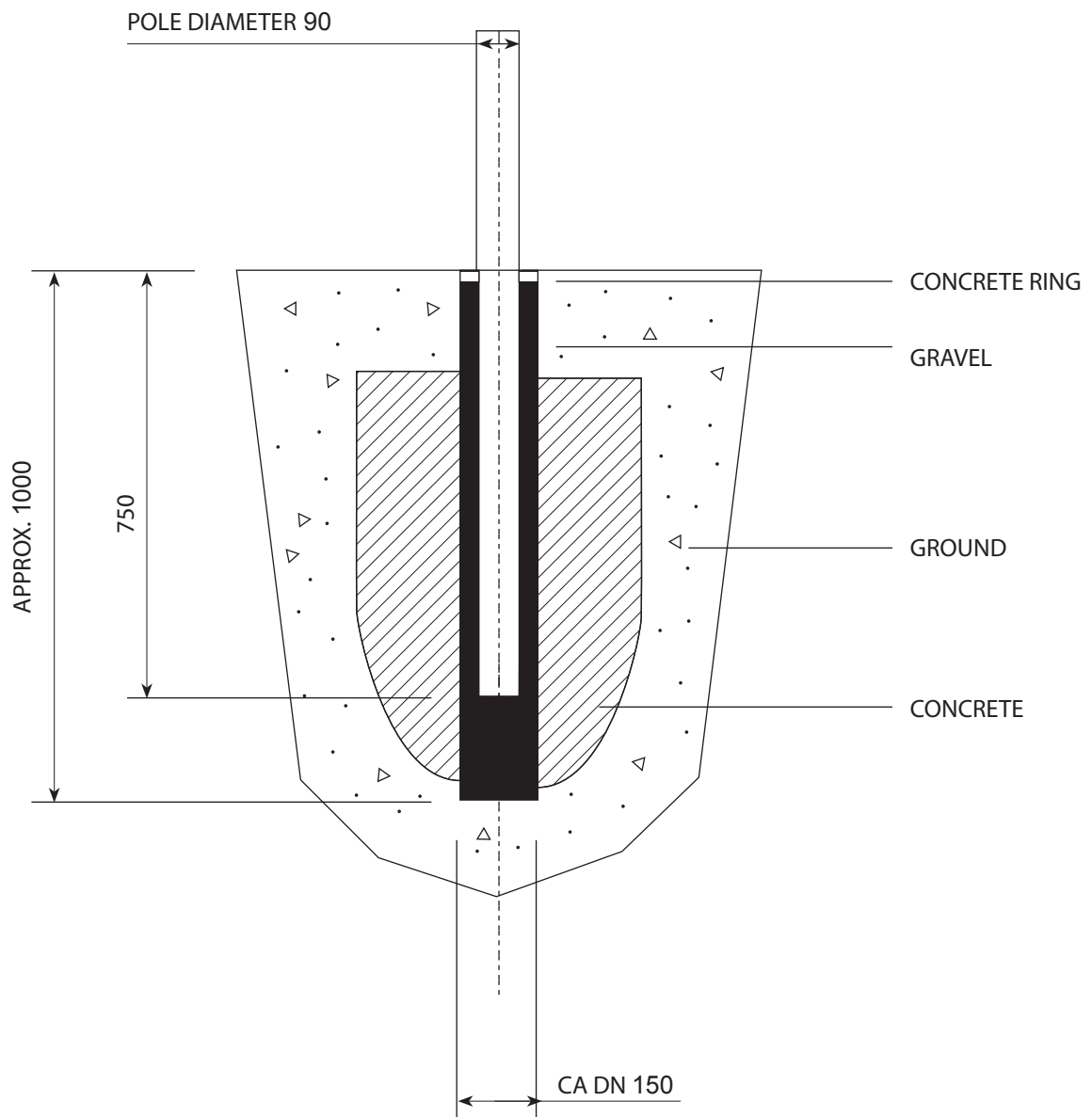
Art. 26160: KSF E140x1600-E76-100

Art. 26813: Eccentric disk set - E90



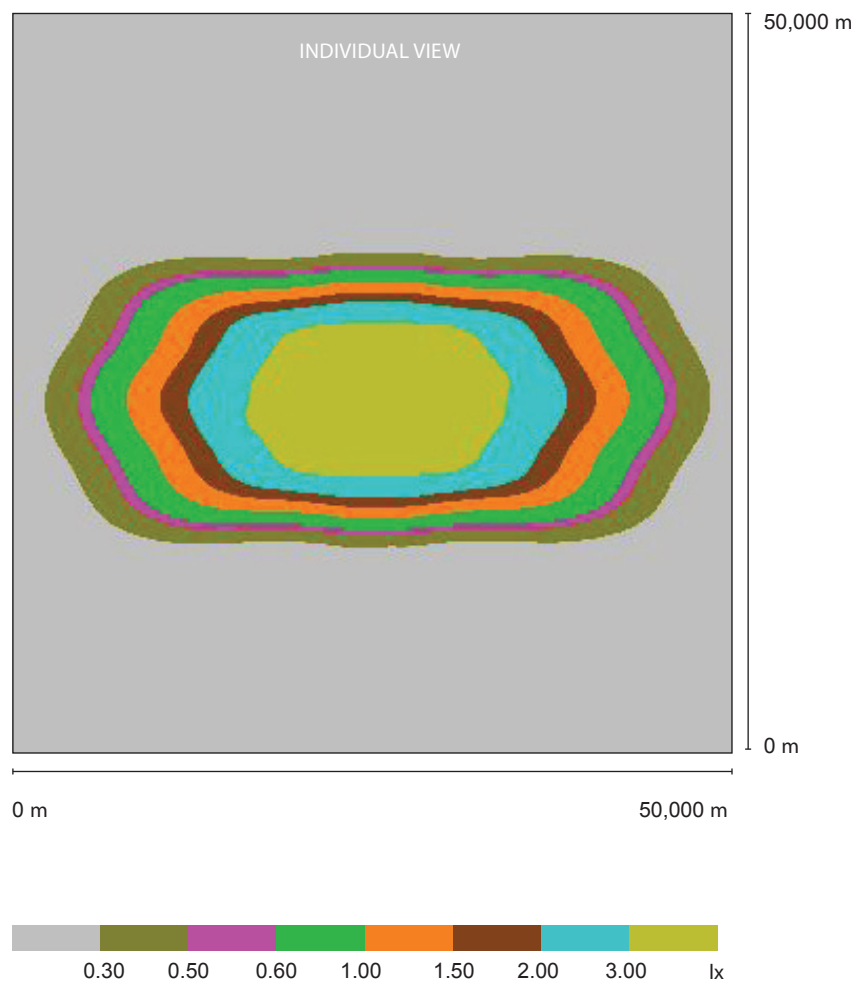
OPTION 2

PIPE FOUNDATION



DIALUX LIGHT DISTRIBUTION CURVE (LDC)

USING AN EXAMPLE OF A DISTANCE BETWEEN POLES OF 25M,
2 x 600LM (BREGENZ SITE)





Photinus GmbH
Landstraße **24**
6911 Lochau - Austria

office@photinus-lighting.at
T +43 (-5574) 42320
Commercial Register: FB
278478b